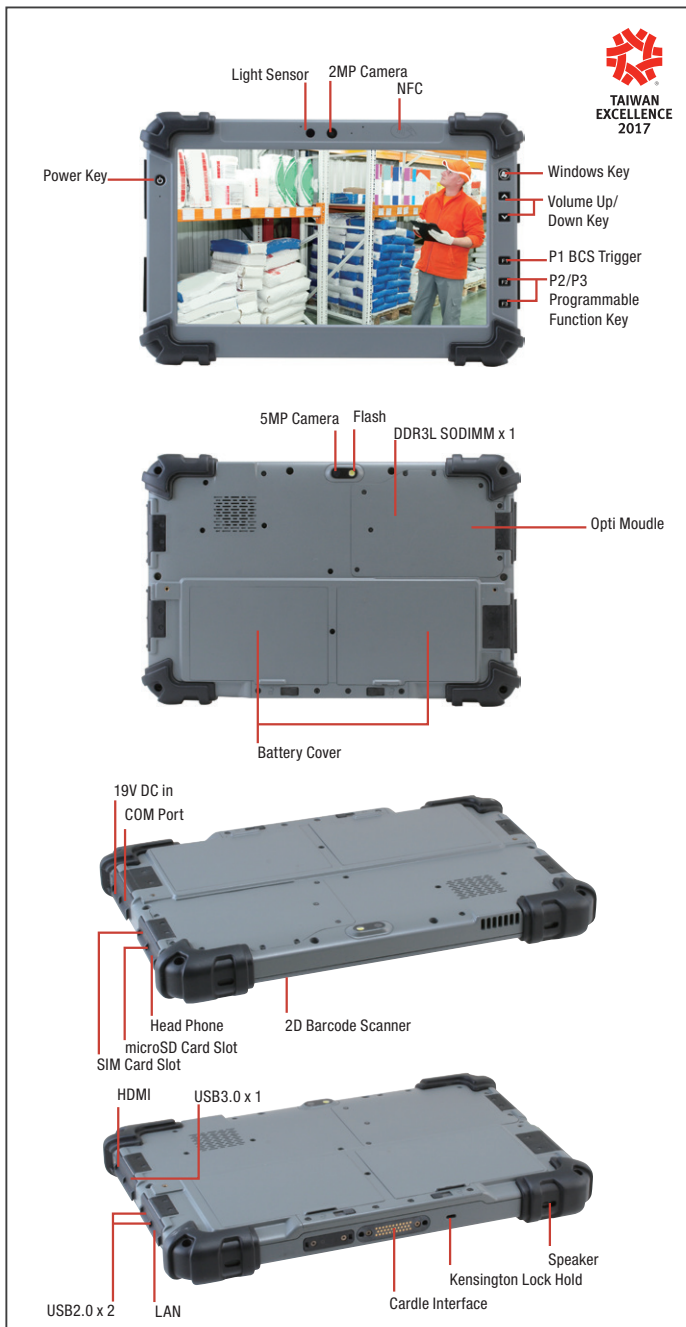


11.6" Rugged Tablet x86-based Windows® 7/ 10 up to 3.4 GHz Dual Core Processor



Specifications

System Architecture	
Processor	Intel® Core™ i Dual Core up to 3.4GHz Processor Intel® Celeron® 3955U Dual Core 2.0GHz Processor
Operating System	Windows® 10 IoT Enterprise 64bit, Windows® 7 Embedded 32/64bit
Memory	DDR3 SODIMM Socket x 1, up to 8 GB
Storage	M.2 (NGFF) SSD, up to 256 GB
Display	11.6" TFT-LCD/ 16:9, with Projected Capacitive Multi-Touch screen
I/O Ports	DC-in Jack x 1, USB 3.0 x 1 (Type A), USB 2.0 x 2 (Type A), RJ45 x 1, COM x 1, HDMI x 1, Micro SD Card Slot x 1, 3.5-mm stereo headphone jack x 1, Built-in Speaker & Microphone SIM Card Slot x 1, Barcode Scanner (Optional)
Communication	Bluetooth v4.1, Wi-Fi (802.11 b/g/n), Front-facing NFC/ RFID (13.56MHz), 3G (Optional)
Navigation	GPS, Glonass
WWAN(optional)	3G: WCDMA
Camera	2 MP front camera, 5 MP auto-focus rear camera with flash

Features

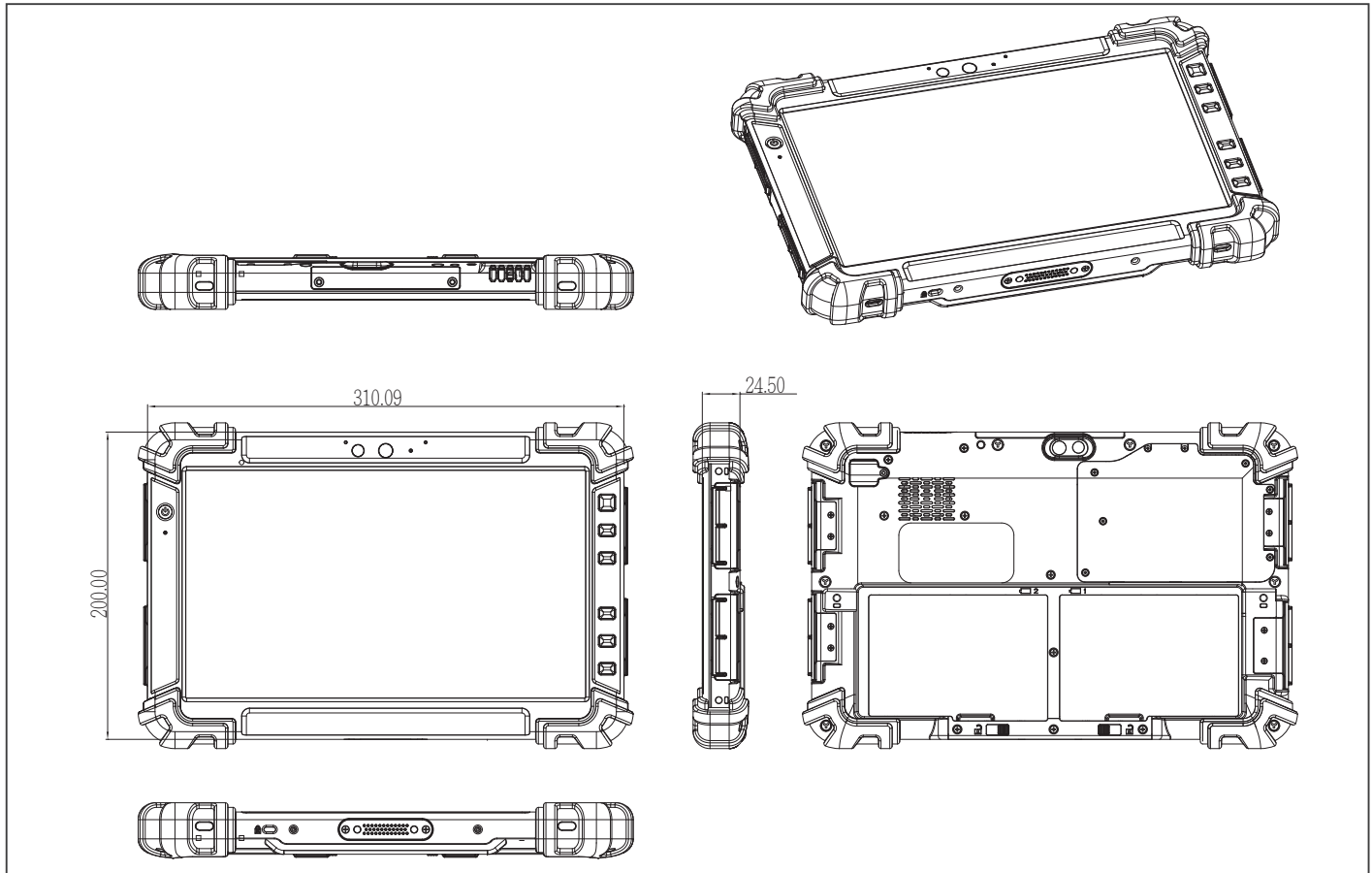
- 11.6" FHD (1920 x 1080) Sunlight Readable Display
- Intel® Core™ i/ Celeron® up to 3.4 GHz
- One DDR3L SODIMM Socket, up to 8 GB
- One M.2 for SSD, Up to 256 GB
- Projected Capacitive Multi-Touch Panel, Gloves/Water Available
- Two Hot-swappable Battery, 14.8V/ 2200mAh/ 2.2A
- MIL-STD-810G, IP65 Compliant, Drop 122cm
- 10/100/1000Base-TX Ethernet & RS-232/422/485 COM Port
- USB3.0 x 1 (Standard Connector), USB2.0 x 2 (Standard Connector)
- Programmable Function Key: Windows, Volume Up/Down, P1, P2, P3 with LED Illumination
- Kensington Lock Hole x 1
- Docking Connector with Pass-through ANT GNSS/WWAN Windows® 7, 10



Sensors	G-sensor, E-Compass, Gyroscope, Light-sensor
Expansion Slot	Docking; GPS/WLAN Pass-through via Docking
Barcode Code Scanner (Optional)	1D Scanner support CMOS engine (Optional), 2D Scanner support LED engine
RFID (Optional)	Front-facing HF RFID based on 13.56MHz compatible with NFC
Mechanical	
Color	Gray & Black
Dimension (W x H x D)	12.36" x 7.87" x 0.96" (310.4mm x 200mm x 24.5mm)
Gross Weight	3.3 lbs (1.5 kg)
Environmental	
Operating Temperature	-4°F ~ 140°F (-20°C ~ 60°C)
Storage Temperature	-67°F ~ 158°F (-55°C ~ 70°C)
Humidity	50°C; 5% ~ 90% R/H; 120 hours, non-condensing
Environmental Sealing	IP65
Vibration	MIL-STD-810G Method 514.6 Procedure I, Cat. 24, Fig. 514.6E-1 & E-2
Drop	MIL-STD-810G Method 516.6 Procedure IV - Height of Drop: 122cm (48 inch; 4ft), - Number of Drop: 26 times, - Floor: Twinch plywood backed by concrete, - For all surfaces, edges and corners
ESD	Air charge: +/- 8KV, Contact charge: +/- 4KV
Certifications and Standards	UL: UL60950-1, CE/LVD: EN60950-1, FCC, CE
Power Supply	
AC / DC Adapter	AC 100~240V, 50~60Hz ; DC 19V/3.42A (65W)
Battery Life	Dual Li polymer High Capacity Batteries, up to 10 Hours Battery Life (Mobilemark)
Master Battery	Removable Battery: 14.8V 2270mAh
Slave Battery	Removable Battery: 14.8V 2270mAh
Display	
LCD	11.6" TFT-LCD/ 16:9, with LED backlight
Resolution	1920 x 1080 pixel
Maximum Color	16.7M
Dot Size	0.117 x 0.117(H)
Brightness	1000 nits; 300 nits (Optional)
Viewing Angle	Horizontal: 178° (Typ.), Vertical: 178° (Typ.)
Touch Screen	
Touch Type	Projected capacitive multi-touch screen (PCT); Gloves/Finger Switchable by F2
Light Transmission	Min 87% (ASTM D1003; Wavelength = 550nm)
Physical Key	
Windows	Starter Key
Volume up	Speaker Volume Up
Volume down	Speaker Volume Down
F1	Ctrl+Alt+Del & Barcode Scanner Trigger
F2	Touch Mode Switch
F3	PrintScreen

Dimension

Unit: mm



Ordering Information

Part Number	CPU	LCD Display	Touch Screen	System Memory	Storage	OS	WiFi/Bluetooth	3G Bands (MHz)	Navigation	Sensor	Camera	Battery	Power	Expansion I/O	Size & Weight	Operation Temp	Durable	NFC (HF RFID)	2D Barcode Scanner	Docking
RTC-1200SK3-TASD-WBGR-1101	Intel® Core™ i3 Dual Core 2.3GHz Processor	11.6" 1000 nits	Pcap 10-point	DDR3 4GB	M.2 SSD 64GB	Windows® 10 IOT Enterprise	802.11 b/g/n + BT4.1	Yes	GPS/ Glonass	Light Sensor x1, G Sensor x1, 3-axis digital, groscope x1, Vibrator x1	Front: 2MP Rear: 5MP Autofocus w/Flash	Dual Battery 14.8V, 2270 mAh x2	DC19V	USB 3.0 x 1 (Type A), USB 2.0 x 2 (Type A), RJ45 x 1, COM x 1, HDMI x1, Micro SD Card Slot x 1, SIM x 1, mPCI-e x 2	310.4 mm x 200 mm x 24.5 mm, 1.5Kg	-4°F ~ 140°F (-20°C ~ 60°C)	Meet IEC 60529 IP-65 standard MIL Std 810G-516.6, Procedure IV MIL Std 810G-514.6, Procedure I 26 drops of 48" height to 2" plywood over concrete with bumpers & unit off 2 units to pass	Yes	Yes	Yes
RTC-1200SK3-TASD-WBGR-1100	Intel® Core™ i3 Dual Core 2.3GHz Processor	11.6" 1000 nits	Pcap 10-point	DDR3 4GB	M.2 SSD 64GB	Windows® 10 IOT Enterprise	802.11 b/g/n + BT4.1	Yes	GPS/ Glonass	Light Sensor x1, G Sensor x1, 3-axis digital, groscope x1, Vibrator x1	Front: 2MP Rear: 5MP Autofocus w/Flash	Dual Battery 14.8V, 2270 mAh x2	DC19V	USB 3.0 x 1 (Type A), USB 2.0 x 2 (Type A), RJ45 x 1, COM x 1, HDMI x1, Micro SD Card Slot x 1, SIM x 1, mPCI-e x 2	310.4 mm x 200 mm x 24.5 mm, 1.5Kg	-4°F ~ 140°F (-20°C ~ 60°C)		Yes	—	Yes
RTC-1200SK3-TAD-WBG-1100	Intel® Celeron® 3955U Dual Core 2.0GHz Processor	11.6" 300 nits	Pcap 10-point	DDR3 4GB	M.2 SSD 64GB	Windows® 10 IOT Enterprise	802.11 b/g/n + BT4.1	—	GPS/ Glonass	Light Sensor x1, G Sensor x1, 3-axis digital, groscope x1, Vibrator x1	Front: 2MP Rear: 5MP Autofocus w/Flash	Dual Battery 14.8V, 2270 mAh x2	DC19V	USB 3.0 x 1 (Type A), USB 2.0 x 2 (Type A), RJ45 x 1, COM x 1, HDMI x1, Micro SD Card Slot x 1, SIM x 1, mPCI-e x 2	310.4 mm x 200 mm x 24.5 mm, 1.5Kg	-4°F ~ 140°F (-20°C ~ 60°C)		—	—	Yes
RTC-1200SK5-TASD-WBGR-1100	Intel® Core™ i5 Dual Core 3.0GHz Processor	11.6" 1000 nits	Pcap 10-point	DDR3 8GB	M.2 SSD 256 GB	Windows® 10 IOT Enterprise	802.11 b/g/n + BT4.1	—	GPS/ Glonass	Light Sensor x1, G Sensor x1, 3-axis digital, groscope x1, Vibrator x1	Front: 2MP Rear: 5MP Autofocus w/Flash	Dual Battery 14.8V, 2270 mAh x2	DC19V	USB 3.0 x 1 (Type A), USB 2.0 x 2 (Type A), RJ45 x 1, COM x 1, HDMI x1, Micro SD Card Slot x 1, SIM x 1, mPCI-e x 2	310.4 mm x 200 mm x 24.5 mm, 1.5Kg	-4°F ~ 140°F (-20°C ~ 60°C)		Yes	—	Yes

Packing List

- 1253300655 Adaptor
- RTC-1200SK

Optional Accessories

- RTC-1200HSP01-000 Rotating Hand-Strap
- RTC-1200BLT01-000 Shoulder Belt 2-point
- RTC-1200BLT02-000 Shoulder Belt 4-point
- RTC-1200SPC01-000 Swivel portfolio case
- RTC-1200-STS02-000 Active Stylus
- RTC-1200BAT01-000 Batteries x 2/ Box
- RTC-1200BKT01-000 Mount Bracket (VESA/RAM)
- RBC-1200-000 Battery Charger
- RDS-241V-0000/0001 Vehicle Docking

* Small quantity MOQ may apply for optional/customized services.